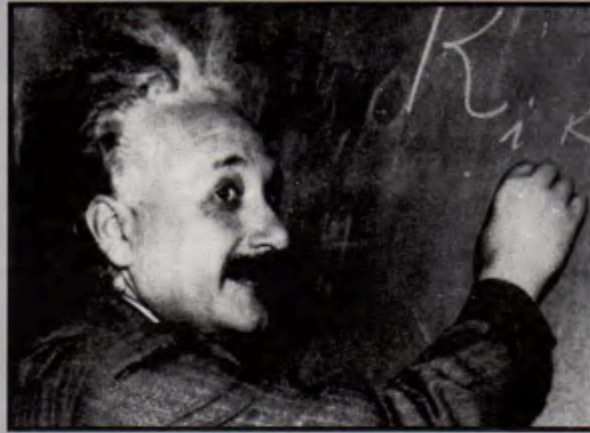


MAX RAMBOD AUCTION

\$5.00



“I am pursuing a path to a theory of matter on a relativistic basis”



Edison reveals secret
to his light bulb

Mail, Fax & Phone Auction
Closing: Wednesday April 23rd at 7:00 PM



12 Edison Signed Electric Light Patent Drawings – Gives the Secrets of 7 Separate Edison Patents for Making a Electric Lamp – This Page Changes the Way Mankind Lives Ever Since

362. Inventor of the light bulb and many other scientific inventions. The history of the electric light traces back to 1811, when Sir Humphrey David discovered that an electrical arc passed between two poles produces light, but the arc light proved totally impractical because it burned out too quickly. The problem was devising the right conductor, or filament to have continuous light. Edison decided to tackle the problem.

In the period between 1878 to 1880 Edison and his associates worked on over three thousand different theories while developing the incandescent lamp. **The lamp would consist of a filament housed in a glass bulb, in a vacuum. The theory was that a current flowing through the carbonized filament would cause it to radiate a steady glow. Creating a successful filament was the most critical factor, whomever would do that would be the inventor of a practical light bulb.** For the filament of his electric lamp, Edison experimented on six thousand different types of materials. The final filament chosen was carbonized cotton thread.

Our documents shows on the same huge page, the 12 different Edison Patent Drawings needed for creating the successful Carbon filament for his Electric Light bulb. These 12 drawings give away the secret that changed the way mankind lives. This page illustrates every step of 7 Edison patents to make the right filament for his Light bulb. **The drawings on our page are exactly the same illustration one finds on his 7 patents described below. Our page seems to be a patent for the entire process. As our page is also in patent drawing format with 2 witness signatures in addition to Edison's.**

Important Lamp Patent Document Signed by Edison: Signed Drawings for the Patent for The Electric Light Bulb. 1 page, folio size. 16"x22" Included on this signed page are 12 drawings from the following 7 Edison Light Bulb related Patents:

Top row illustrations labeled fig. 1 through fig. 5 are the illustration for (right to left).

US Patent No 248,428, of Oct. 18, 1881. Patent Drawing illustrated in "Manufacture of Incandescent Electric Lamps" (has our illustrations fig. 1 and fig. 2 with the actual lamp illustrated 3 times with the filament inside), and deals with creating the **necessary vacuum inside the light bulb.**

US Patent No 248,426 of Oct 18, 1881. Patent Titled: **Apparatus for treating Carbons for Electric Lamps,** (Our Patent Drawing fig. 3 and fig. 4) relating to flask with hydrocarbon vapors to manufacture filaments for the electric lamp.

US Patent No 248,416 dated of Oct. 18, 1881, "Manufacture of Carbons for Electric Lamps" (Our Patent Drawing fig. 5). Shows the carbon filament inside the lamp bulb being heated with a Voltaic arc lamp reflecting rays to fix weak spots on the filament.

Two lower Rows consist of illustrations used for (clockwise).

US Patent No 239,151, of March 22 1881-Patent Titled "Method of Forming Enlarged Ends on Carbon Filaments"(Our Patent Drawing fig. 6). The drawing shows the actual Light Bulb with the carbon filament inside, connected to a water reservoir containing a carbon compound, resistor and a galvanometer. This step is needed to enlarge the ends to have a strong electrical contact.

US Patent No 248,427 of Oct 18, 1881. Patent Titled: **Apparatus for treating Carbons for Electric Lamps** (Our Patent Drawing fig. 7). Enclosed flask with carbon vapor passing through it, needed to enlarge filament ends of the lamp. (Our center top row drawing)

US Patent No 248,437 dated October 18, 1881. Patent Titled: **Apparatus for treating Carbons for Electric Lamps** (Our Patent Drawing fig. 10 and fig. 11 and fig. 12), this apparatus increases resistance of the incandescing conductors by increasing the mass of the carbon on the filament of the lamp. (Drawings represent 3 views of invention, all 3 on our right hand page)

The middle lower drawing with a liquid solution in a clear bucket and the filament having only one end inside the bucket. We did not find this specific illustration one in our research. But keep in mind that Edison had over 1,000 patents in the U.S. and many more International patents. However, if this drawing is unique, it would make our own document even more unique and important.

US Patent No 251,544 dated Dec 27, 1881, Patent Titled "Manufacture of Electric Lamps" (variant on our Patent Drawing fig. 8). The liquid solution is the electroplating cell above which hangs the Carbon filament with the help of an arm. This, in fact is the last stage to make a working practical carbon filament, after this, the filament is simply inserted in the glass bulb.

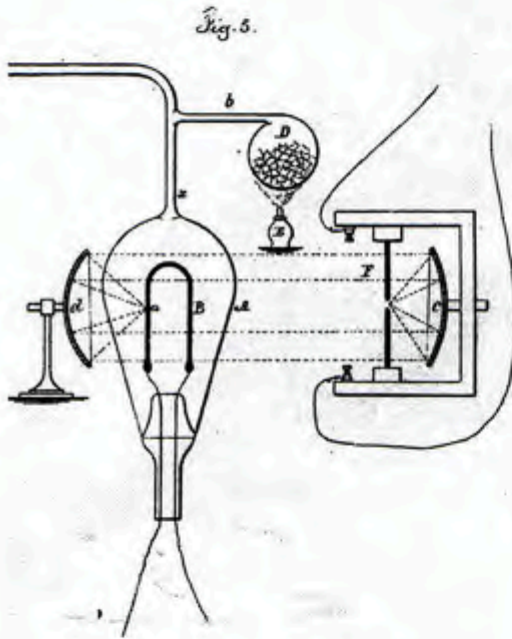
Our Edison Patent document has on one page, all 12 separate patent sketches, revealing the secret to his most important invention the Light bulb. The copies of the 7 patents listed above are included with our document.

The page is signed by Edison "Thomas Alva Edison". Edison only added his middle name "Alva" for very important legal forms. The page is also signed by two witnesses on the left side, patent law required 2 witnesses to sign any patent drawings, so we assume this document was relating to a patent covering the entire process of creating the filament for the lamp.

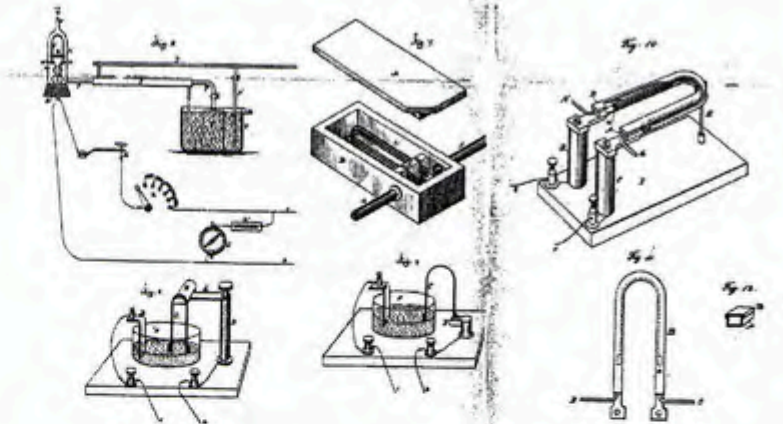
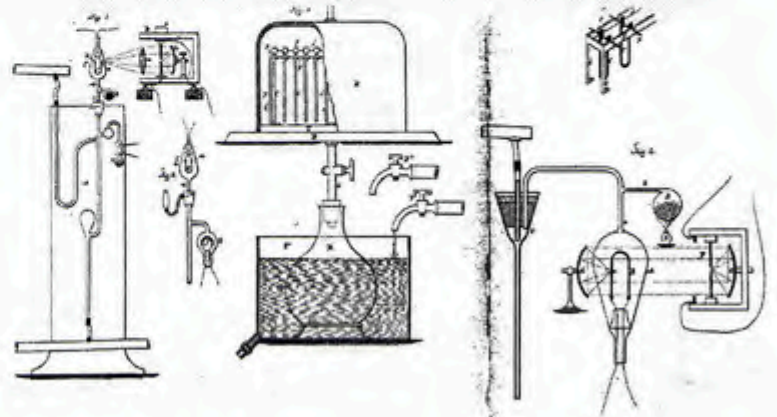
11 of these same drawings can be found on 7 of his actual patents (numbers above and copies of Edison's 7 patents with his textual description of patents and these same drawings are included with this lot). An extremely important document as it is revealing the secret of Edison's most important invention. The centerfold goes through Edison's first name. The large page had separated at the centerfolds (separation affecting one letter of Edison's first name). The separation was relatively clean and has been reattached professionally. Otherwise, it is in very good condition. Edison's light bulb was arguably one of mankind's most important inventions and changed the way we live ever since.

Inv No. 10270

\$ 50, 000-\$ 85,000



Lot 362. Details



Witness
Charles
Edison

Thomas Alva Edison

Einstein Writes: " I am Pursuing a Path to a Theory of Matter on a Relativistic Basis.."

368 EINSTEIN ALBERT

American theoretical physicist. Typed Letter Signed about his theory of relativity, dated March 19, 1935 from Princeton, NJ. Einstein writes to Dr Ludwig Silberstein, a mathematical physicist. Einstein writes:

"...From your indication I can gather that you have exactly the same point of view as I concerning the question of Causality. When I have received and read your little book I will write again. **I had forgotten to send you the little book about Relativity [It is fascinating to see Einstein call the book that changed the world a "little book"]** which appears in Paris but I will do it soon." Einstein then goes on to say that he is still working on a new aspect of Relativity. .. **"at the present I am pursuing an interesting path to a theory of matter on a relativistic basis..** When I have advanced further, I will write you about it.." Signed "A. Einstein"

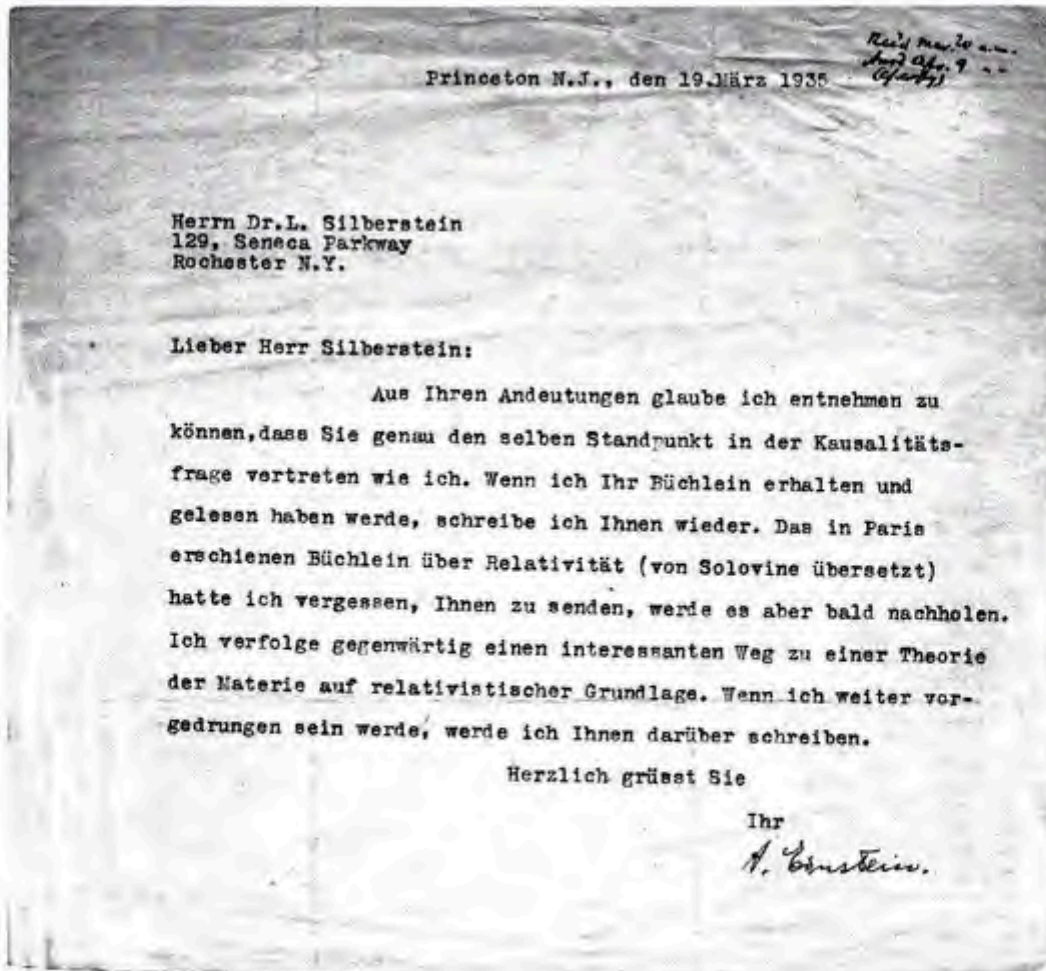
Enstein's book mentioned here is "The Fundamentals of the Theory of General Relativity" published in Paris that same year Silberstein, the recipient of our letter, a well know physicist, had published his own work on Relativity. In 1933, Silberstein published his book "Causality" that Einstein mentions in our letter and that deals with Einstein's work.

The theory that Einstein is working on during the time of this letter and that he writes about towards the end of this letter "Theory of Matters on a Relativistic Basis" finds its full expression in another book he publishes that same year titles "The Particle Problem in the General Theory of Relativity". Which deals with particle travels in fields and Einstein's theory on the influence of gravity on time.

Letters by Einstein in which he discusses his theory of relativity are extremely rare and desirable. This one is also written to a highly respected physicist and expert in relativity. Usual mailing folds, trimmed bottom border not affecting text or signature. Very good condition overall.

Inventory No. 9808

\$ 10,000-20,000



MAX RAMBOD INC

Autographs, Manuscripts and Historical Documents

Suite #756

16161 Ventura Blvd.

Encino, California 91436 USA

Telephone: (818) 784-1776 Fax (818) 784-7733

email: max@maxrambod.com

CHANGE SERVICE REQUESTED

Visit our Website for 1000's of new autographs
every month at:

www.maxrambod.com



PRESORTED
BOUND PRINTED
MATTER
U.S. POSTAGE
PAID
Canoga Park, CA
Permit # 537